

**POWER ELECTRONICS 전문기업**

# **JWE-N35 Power Module**

**(Electric Vehicle Charging Module)**



**지우전자(주)**

**JIWOO ELECTRONICS CO.,LTD.**

# JWE-N35 5kW Power Module (Electric Vehicle Charging Module)



## Features:

- \* Voltage / Current free Setting
- \* Auto Parallel Operating
- \* Built-in CAN & RS485 interface
- \* An embedded Microprocessor controller
- \* Last setting Memory
- \* Over Voltage /Current Limit /Short Circuit Protection
- \* Electric vehicle charging System

MODEL		JWE-N35
OUTPUT	DC OUTPUT VOLTAGE	+50Vdc ~ +500Vdc
	DC RATED CURRENT	≤+400Vdc/12.5A, ≤+500Vdc/10A
	RATED POWER	5 kW
	RIPPLE & NOISE	≤ ± 1%
	LINE REGULATION	≤ ± 1%
	LOAD REGULATION	≤ ± 2%
INPUT	VOLTAGE RANGE	187 ~ 253VAC ± 15%
	FREQUENCY RANGE	47 ~ 63Hz
	POWER FACTOR	≥ 98% Full load
	EFFICIENCY	≥ 93% Full load
	INRUSH CURRENT	≤50A
	LEAKAGE CURRENT	< 3.5mA
PROTECTION	OVER VOLTAGE	105% ~ 130%
	OVER CURRENT	105% ~ 130%
	OVER TEMPERATURE	≥95℃ ± 5℃ detect on heatsink
ENVIRONMENT	WORKING TEMP.	-20 ~ +50℃
	WORKING HUMIDITY	10 ~ 90% RH
	STORAGE TEMP., HUMIDITY	-30 ~ +60℃
SAFETY & EMC	WITHSTAND VOLTAGE	I/P-O/P:1.5KVAC, I/P-FG: 1.5KVAC
	ISOLATION RESISTANCE	I/P-O/P:100M OHMS / 500VDC
OTHERS	DIMENSION	140mm(W) X 370mm(D) X 110mm(H)

# JWE-N35\_3P 15kW Power Module (Electric Vehicle Charging Module)

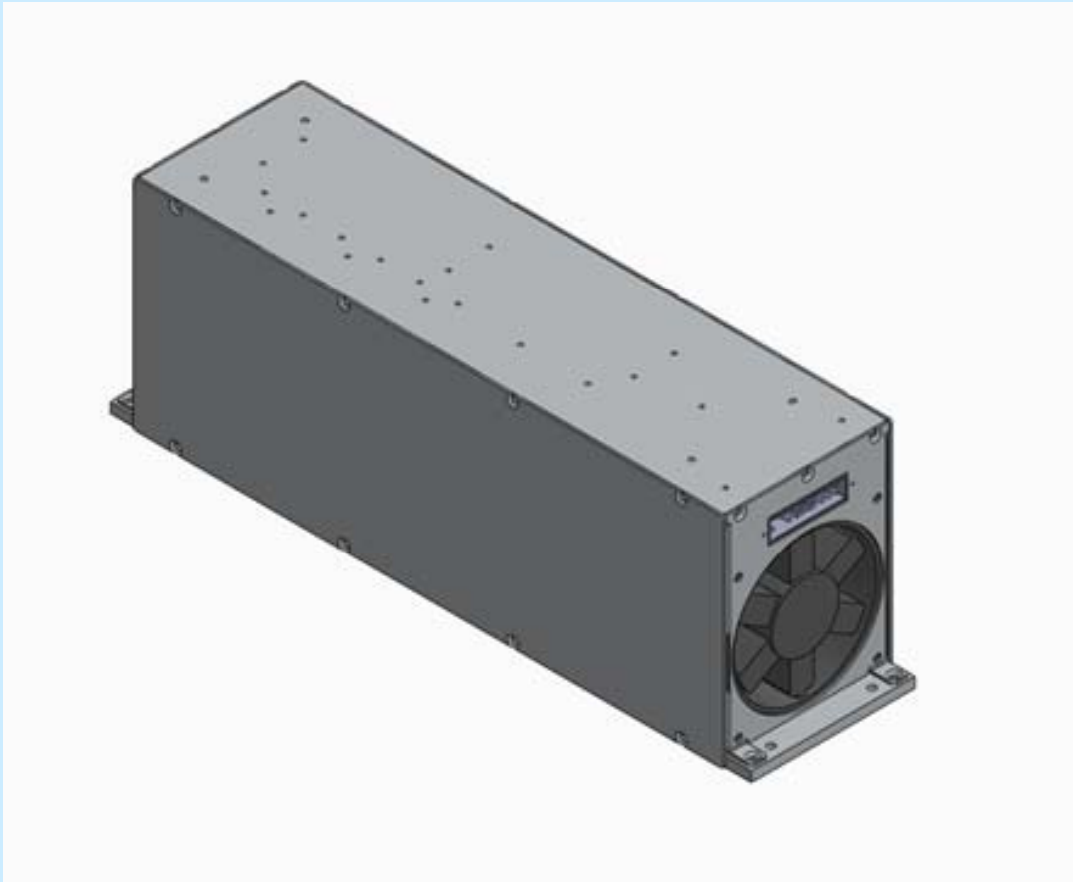


## Features:

- \* Voltage / Current free Setting
- \* Auto Parallel Operating
- \* Built-in CAN & RS485 interface
- \* An embedded Microprocessor controller
- \* Last setting Memory
- \* Over Voltage /Current Limit /Short Circuit Protection
- \* Electric vehicle charging System

MODEL		JWE-N35_3P
OUTPUT	DC OUTPUT VOLTAGE	+50Vdc ~ +500Vdc
	DC RATED CURRENT	≤+400Vdc/37.5A, ≤+500Vdc/30A
	RATED POWER	15 kW
	RIPPLE & NOISE	≤ ± 1%
	LINE REGULATION	≤ ± 1%
	LOAD REGULATION	≤ ± 2%
INPUT	VOLTAGE RANGE	3Ø 4W 380VAC ± 15%
	FREQUENCY RANGE	47 ~ 63Hz
	POWER FACTOR	≥ 98% Full load
	EFFICIENCY	≥ 93% Full load
	INRUSH CURRENT	≤50A
	LEAKAGE CURRENT	< 5mA
PROTECTION	OVER VOLTAGE	105% ~ 130%
	OVER CURRENT	105% ~ 130%
	OVER TEMPERATURE	≥95℃ ± 5℃ detect on heatsink
ENVIRONMENT	WORKING TEMP.	-20 ~ +50℃
	WORKING HUMIDITY	10 ~ 90% RH
	STORAGE TEMP., HUMIDITY	-30 ~ +60℃
SAFETY & EMC	WITHSTAND VOLTAGE	I/P-O/P:1.5KVAC, I/P-FG: 1.5KVAC
	ISOLATION RESISTANCE	I/P-O/P:100M OHMS / 500VDC
OTHERS	DIMENSION	480mm(W) X 500mm(D) X 120mm(H)

## Mechanical Specification (JWE-N35) 3D



# Mechanical Specification (JWE-N35) 2D

